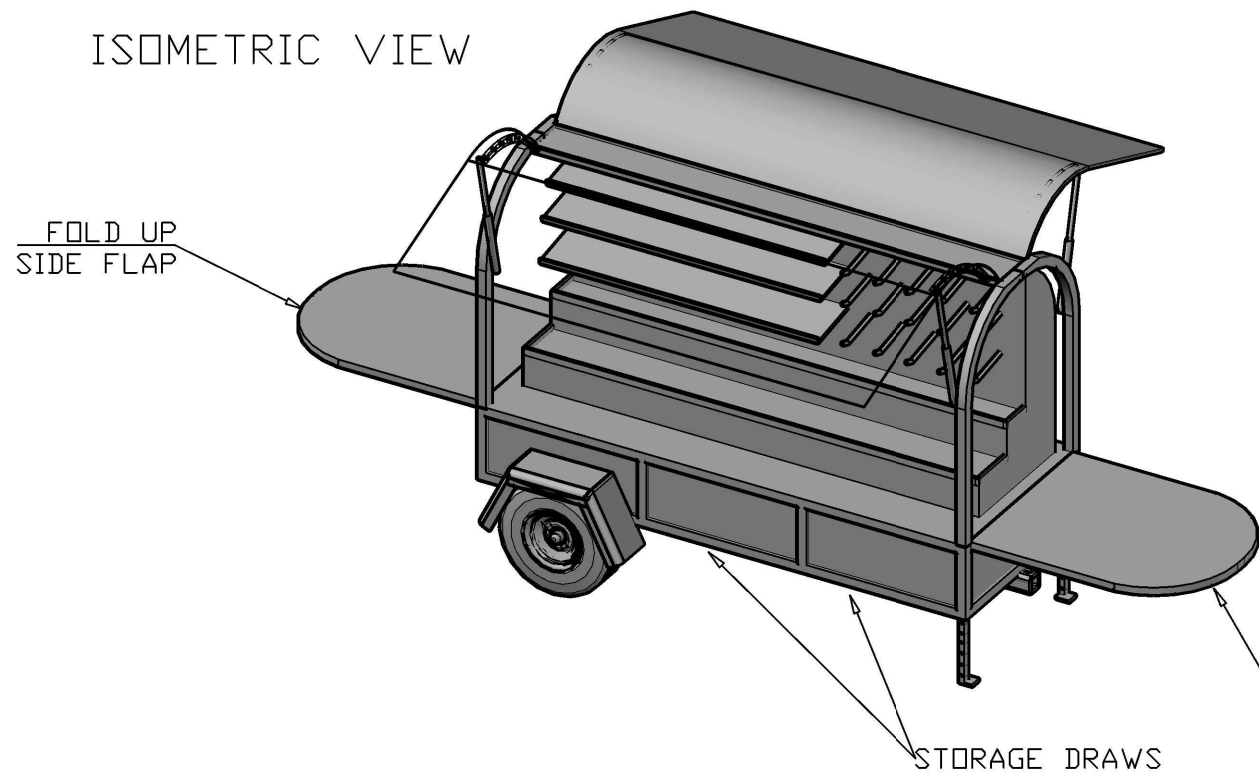
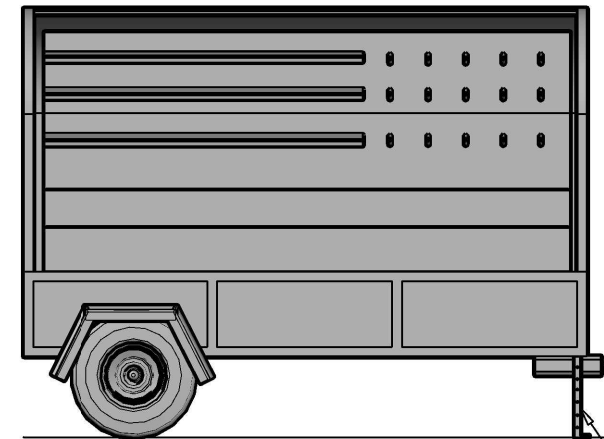
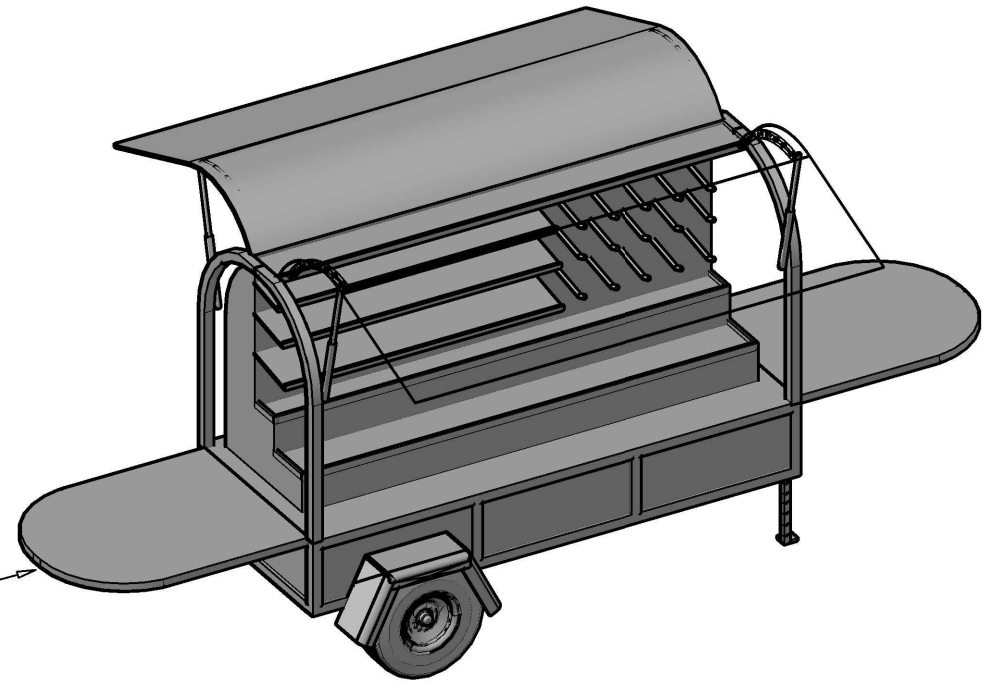


ISOMETRIC VIEW



ISOMETRIC VIEW

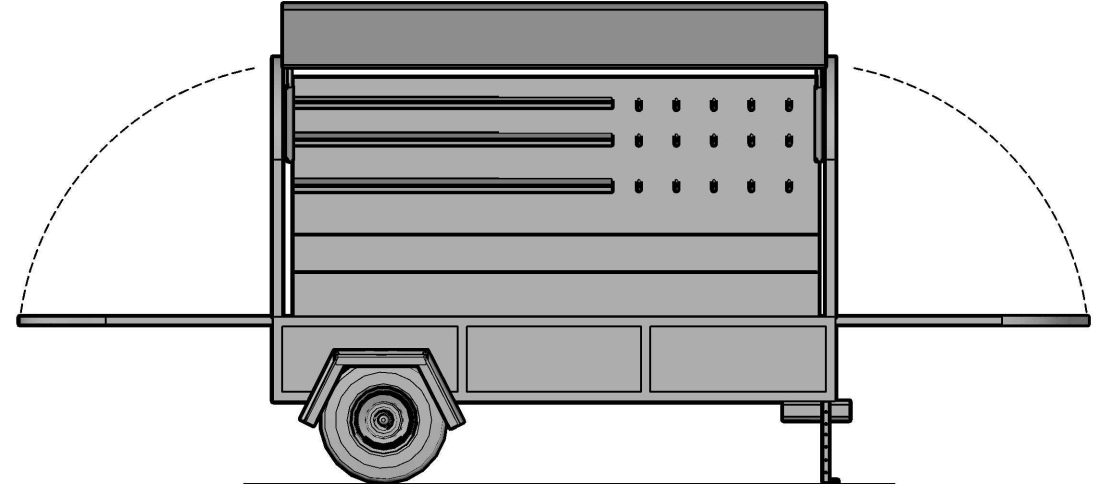
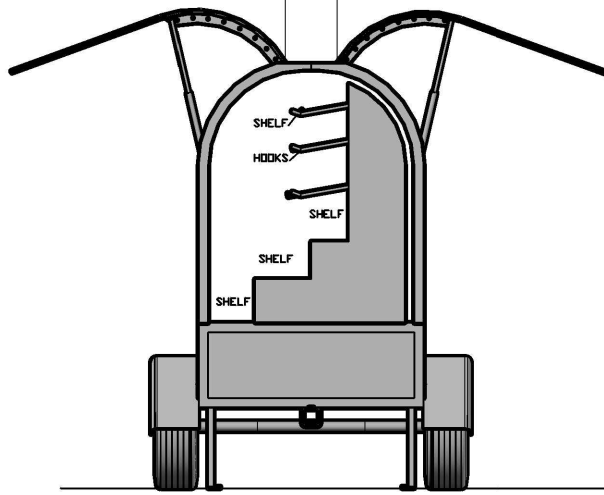


SIDE ELEVATION CLOSED

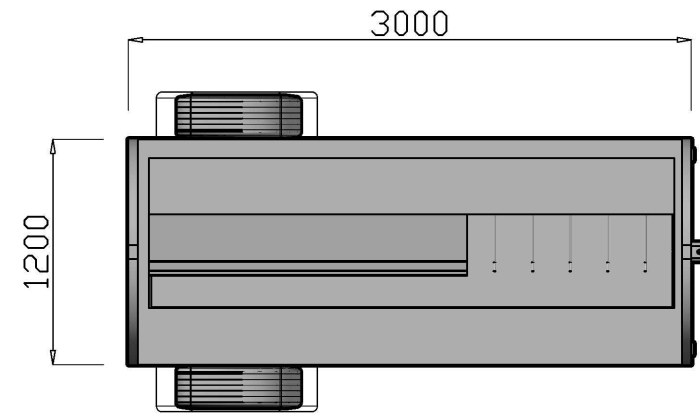
TOWING HITCH

FOLD UP
ADJUSTABLE
JACKS

275
END ELEVATION



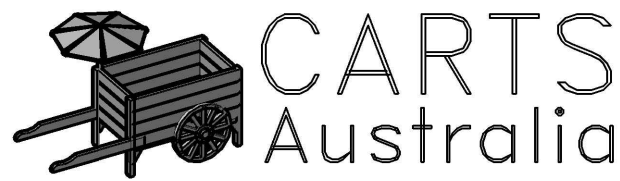
SIDE ELEVATION OPEN



PLAN VIEW

DRAWING.NO. SYD-ZOO-CART

Designs shown hereon remain the property of this office for which a Copyright exists. No reproductions or copies are to be made without the Authority of Catering Equipment Systems. Should the above conditions be breached a Fee of 5% of the contract value shall be made payable to Catering Equipment Systems Pty. Ltd.



Project: SYDNEY ZOO CART				
Title:				
Drawn by: MJ	Date 30.10.18	Scale	Dwg. No. SYD-ZOO-CART	Issue 0